

FIGURE 2

THE GOAT



SEAR CHANGE INSTRUCTIONS (HINGE MODE)

STEP 1



Turn the SEAR LOCK counter-clockwise until tight, releasing the SEAR

STEP 2



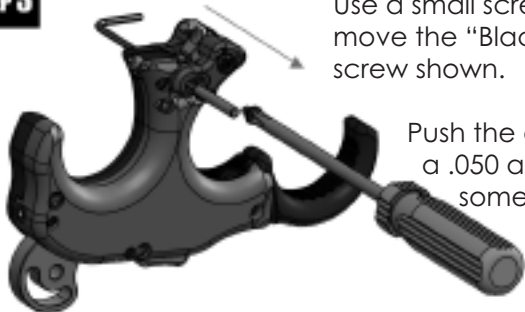
Using a $5/64$ " allen wrench, turn the Micro-Adjust screw counter-clockwise until it stops against the handle, counting the revolutions as you go. Remember the number.

Now that you know your "personal location". Turn the Micro-Adjust screw clockwise 4 full turns.



SEAR CHANGE INSTRUCTIONS (CONTINUED)

STEP 3



Use a small screw driver to remove the "Black" panhead screw shown.

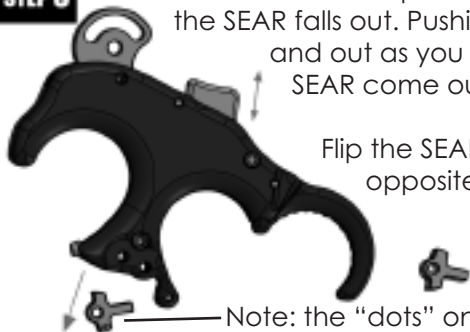
Push the dowel out with a .050 allen wrench or something similar.

STEP 4



Remove the head from the handle.

STEP 5

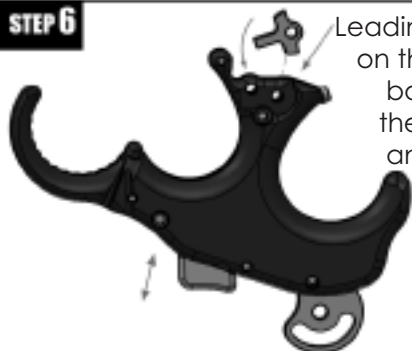


Turn the release upside down and shake it till the SEAR falls out. Pushing the Cocking Bar in and out as you shake it will help the SEAR come out.

Flip the SEAR around to the opposite side.

Note: the "dots" on the SEAR. These are on the "CLICK" side of the SEAR.

STEP 6



Leading with the long extension on the SEAR, insert the SEAR back into the handle, until the dowel hole and the sear and handle line up.

Again... working the Cocking Bar back and forth while doing this will aid in the SEAR going in.

STEP 7



Re-attach the head to the handle.

STEP 8

Re-insert the dowel pin and tighten the small panhead screw over the dowel to keep dowel in.

"using the .050" allen wrench from the opposite side through head, handle, and sear aides in lining the parts up during dowel pin insertion."

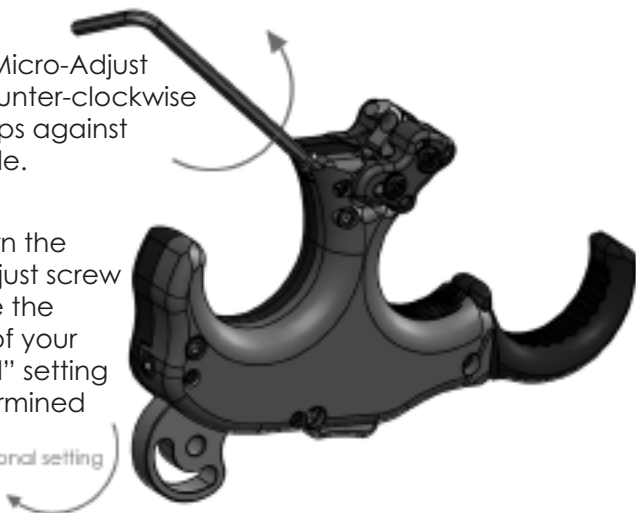


STEP 9

Turn the Micro-Adjust screw counter-clockwise until it stops against the handle.

Now... turn the Micro-Adjust screw clockwise the amount of your "personal" setting you determined in step 2.

personal setting



STEP 10

Turn the SEAR LOCK clockwise until tight, locking the SEAR for use.

